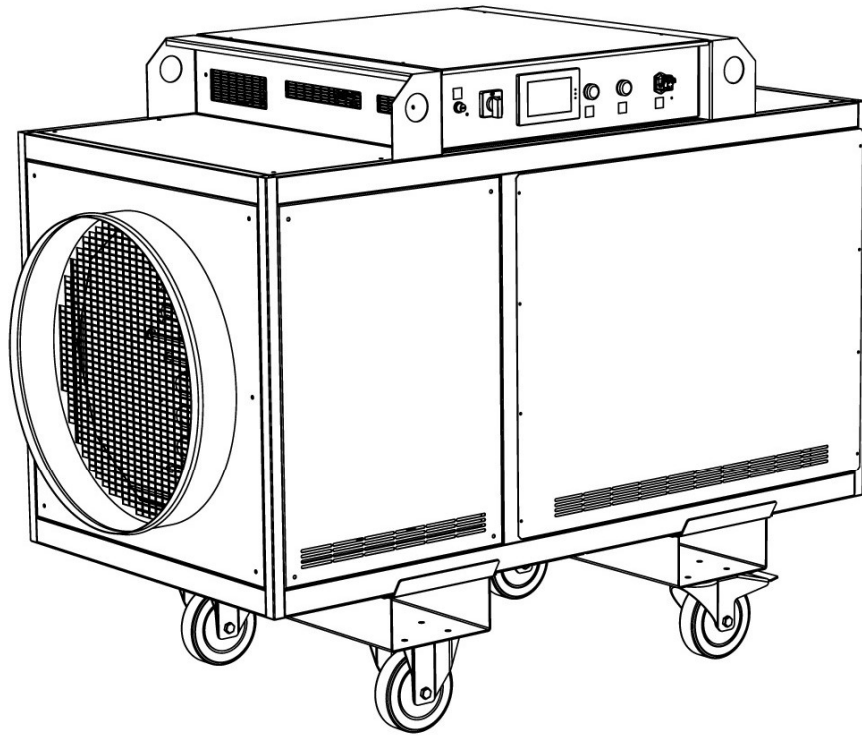
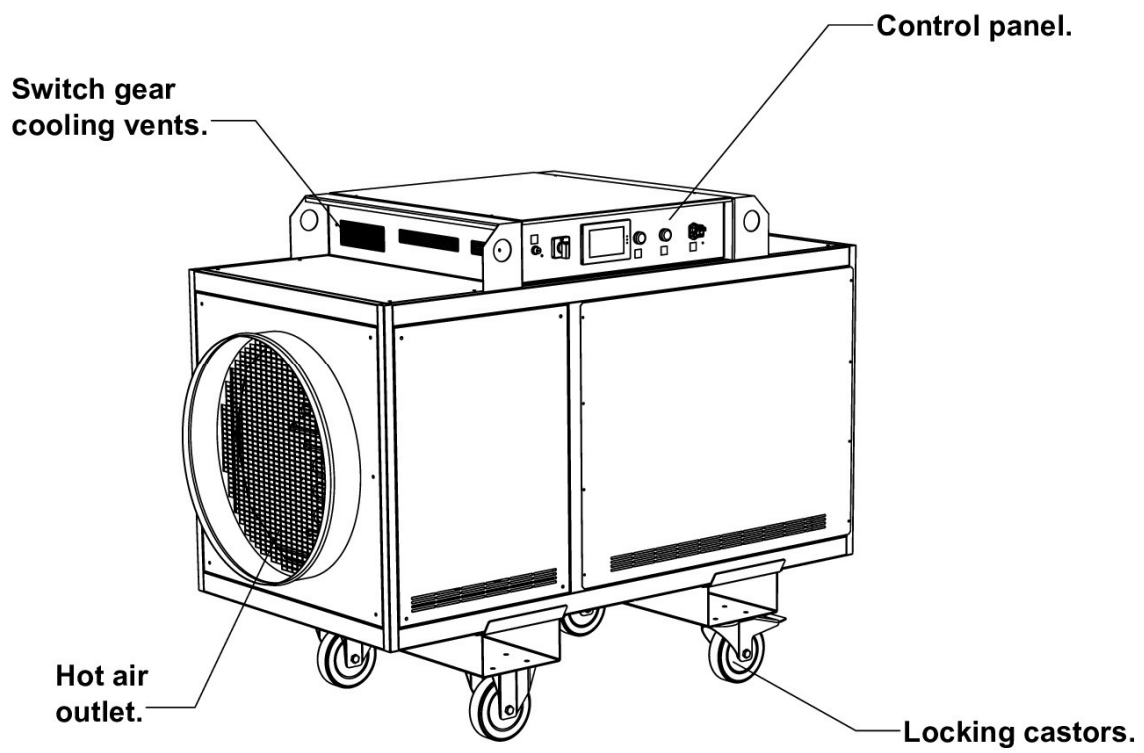


# AlfaJet 100KW

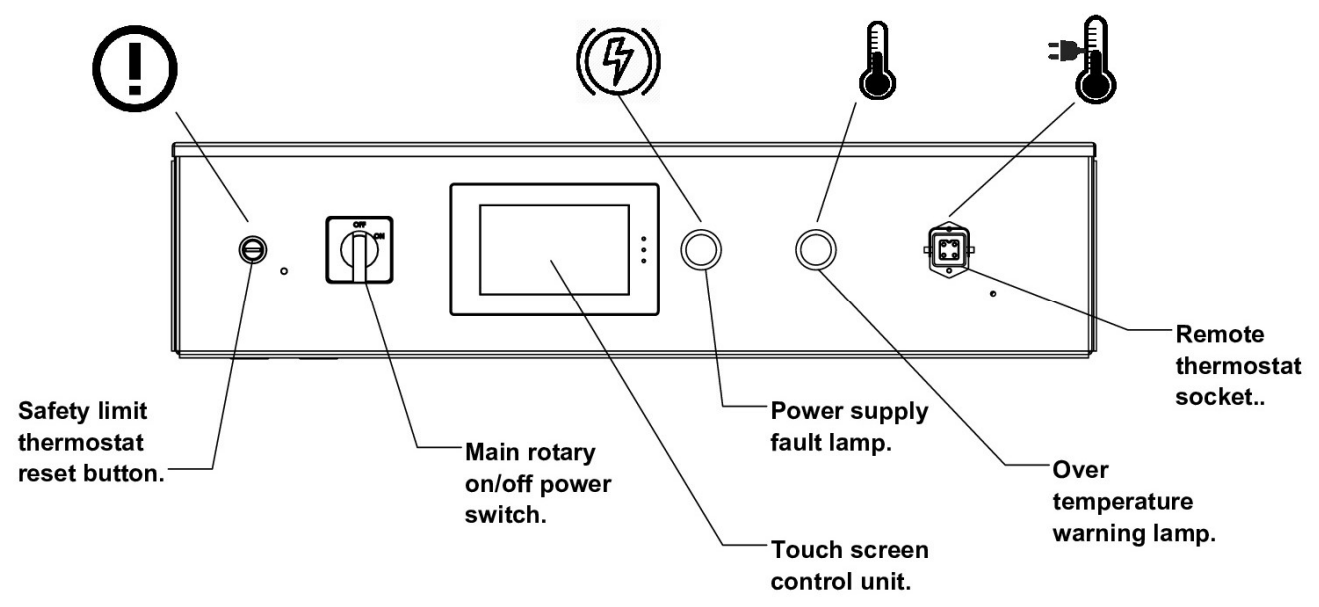


## AlfaJet 100KW 3 PHASE 400V ELECTRIC HEATER

PRODUCT MANUAL



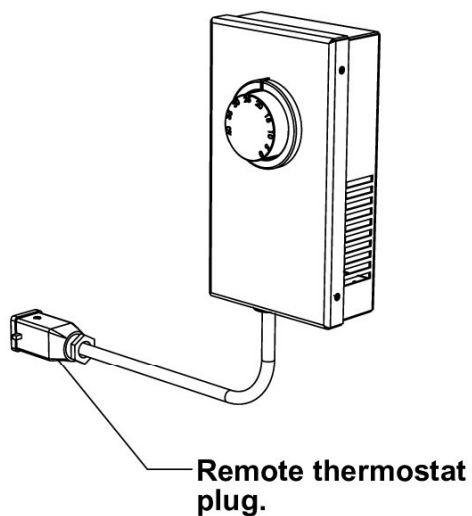
**Control panel detail:**



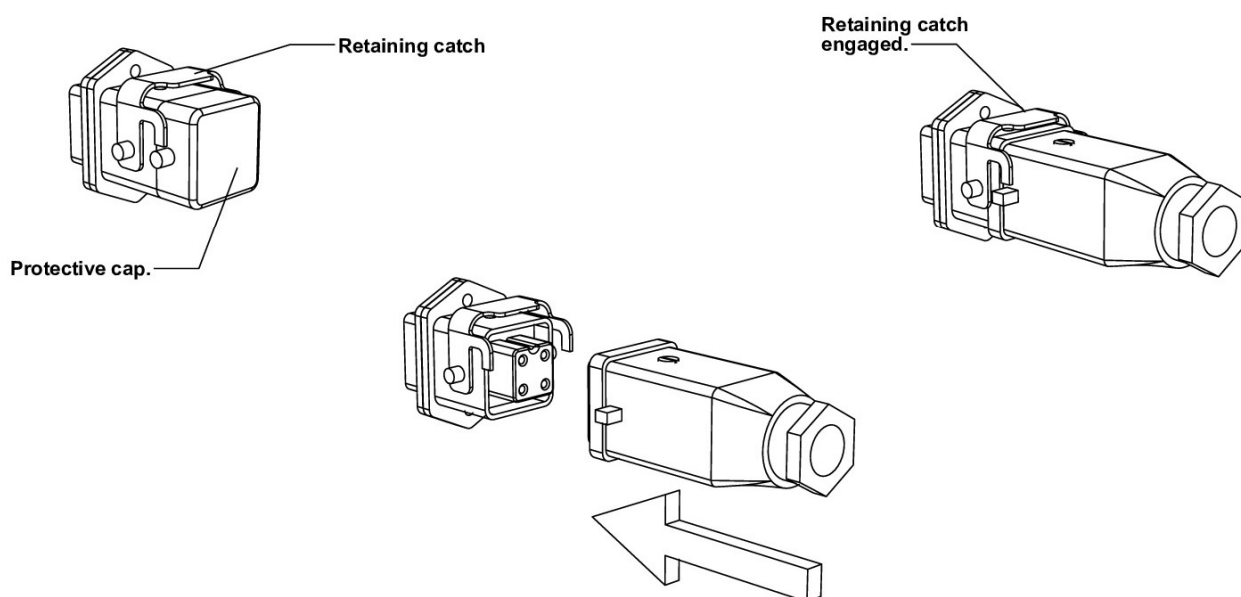
## Fitting the remote thermostat:

- Lift the retaining catch and remove the protective cap from the remote thermostat socket. The thermostat socket is located on the control panel.
- Fit the remote thermostat plug to the socket and secure in place with the retaining catch.
- Set the controller to Remote thermostat control.
- The remote thermostat is now ready for use.
- Always refit the protective cap when not in use.

## Remote thermostat:

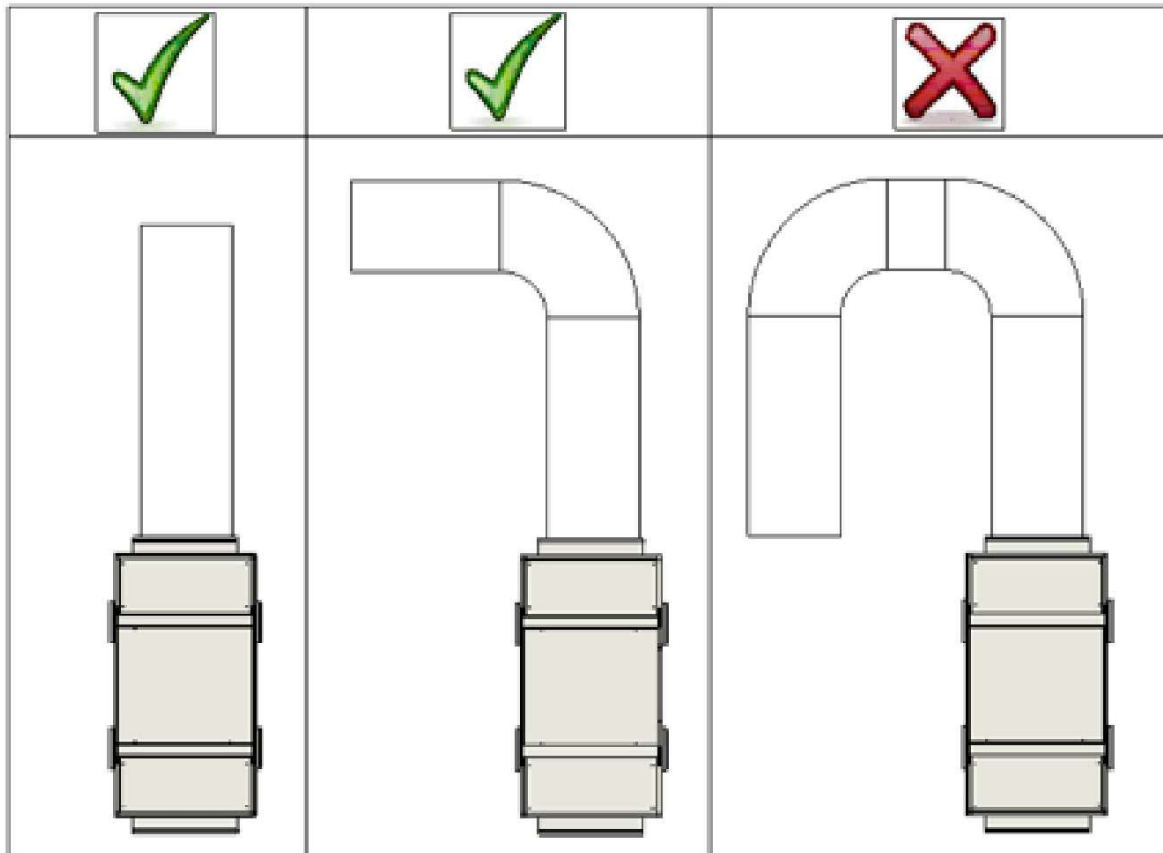


## Remote thermostat socket:



## Using flexible ducting:

- This appliance is designed to be operated with a total maximum flexible duct length of 100m.
- 600mm ducting should be fitted. Do not use reducers.
- Aluminium foil duct is recommended. Do not use plastic flexible duct.
- Always keep duct lengths to a minimum.
- Always keep duct runs as straight as possible.
- Poorly run flexible ducting can cause overheating of the machine. Do not run ducting through 180 degrees.



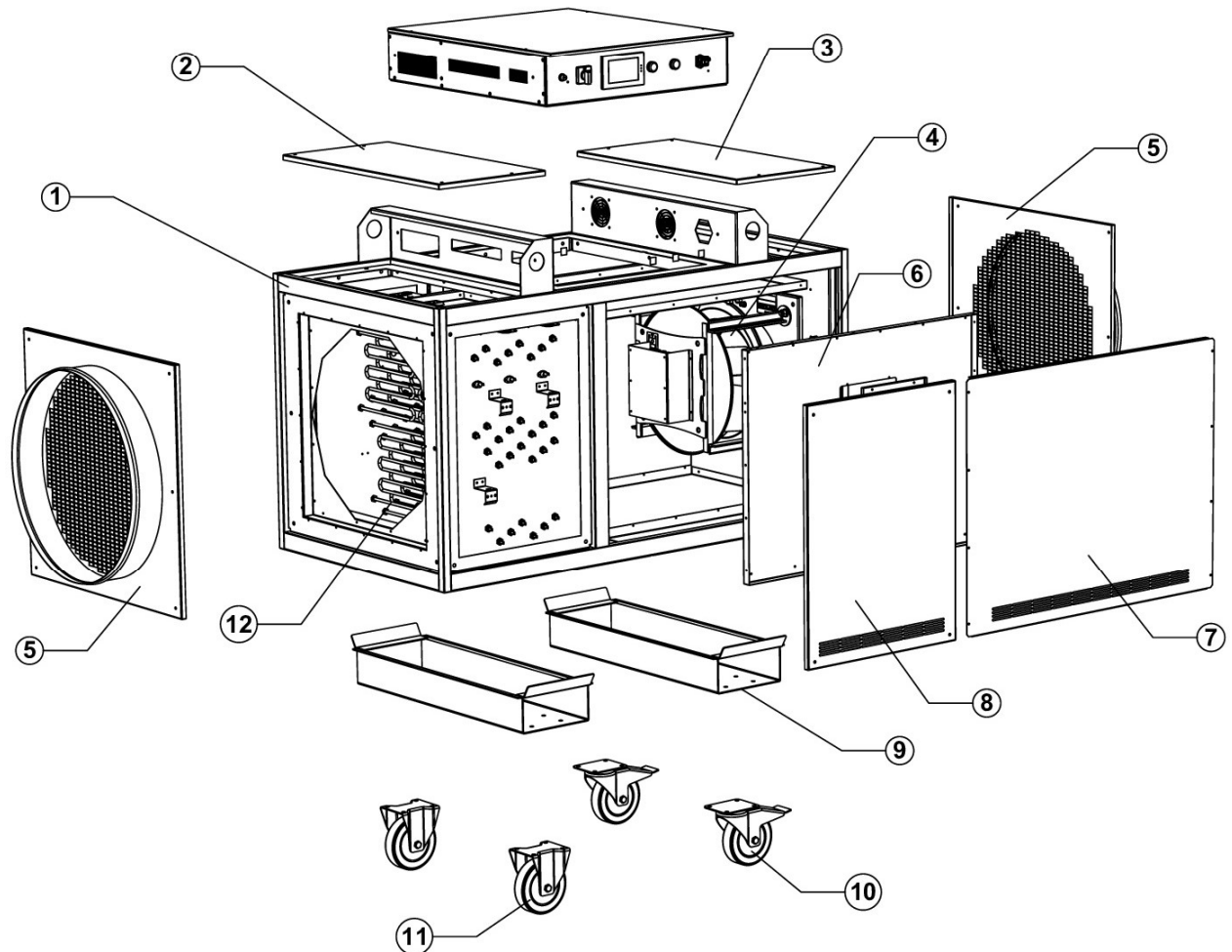
## Heating a room or enclosure to temperatures above 40 °C:

The FHE80 uses thermal protective devices that will shut the machine down if operated in an ambient temperature above 40 C.

To heat a room or enclosure to temperatures exceeding 40 °C it will be necessary to site the unit outside of the area and duct the hot air in. The ducting should be kept as short as possible and insulated duct is recommended.

To control the temperature above 40 °C a remote high temperature thermostat should be used. These can be supplied as an optional extra.

## Exploded view:



<u>Model</u>	Alfa-Jet 100 kW <u>Industrial Type Electric Fan Heater</u>
<u>Capacity</u>	50 – 100 KW
<u>Kcal/h</u>	43,125 – 86,250 Kcal/h
<u>Btu/h</u>	170,750 – 341,500 Btu/h
<u>Sound Decibel</u>	78 db
<u>Air Flow</u>	10,000 m <sup>3</sup> /h <u>Radial Fan</u>
<u>Blow Throat Diameter</u>	Ø800 mm
<u>Working Voltage</u>	380V – 50hz
<u>Dimensions</u>	Length/Width/Height 1500x900x1000mm
<u>Weight</u>	115kg
<u>Description</u>	<ul style="list-style-type: none"> <li>-Ergonomic Stylish Design</li> <li>-3 Year Warranty</li> <li>-High Heating</li> <li>-Ambient and Blowing Temperature Dial</li> <li>-Wheeled and Mobile Easy Transport</li> <li>-Removable Front Hood (Pipe Can Be Connected)</li> </ul>

